

# AB5616E3

Audio Player Microcontroller

Versions: 0.0.5  
2023.01.06



## Declaration

Copyright © 2021, [www.bluetrum.com](http://www.bluetrum.com).

All Rights Reserved. No Unauthorized Distribution.

Bluetrum reserves the right to make changes without further notice to any products herein to improve reliability, function or design.

For further information on the technology, product and business term, please contact Bluetrum Company.

For sales or technical support, please send email to the address:

Sales: [sales@bluetrum.com](mailto:sales@bluetrum.com)

Technical: [project@bluetrum.com](mailto:project@bluetrum.com)

## Revision History

Date	Version	Comments	Revised by
2021-10-26	0.0.1	First draft	Leo
2022-01-22	0.0.2	Update QDID	Leo
2022-03-17	0.0.3	Modify the information of Product Features	Leo
2022-11-15	0.0.4	Update QDID	Leo
2023-01-06	0.0.5	Update Product Features	Leo

# Table of Contents

<b>TABLE OF CONTENTS</b> .....	<b>2</b>
<b>1 PRODUCT FEATURES</b> .....	<b>3</b>
<b>2 PACKAGE DEFINITION</b> .....	<b>4</b>
2.1 PIN ASSIGNMENT .....	4
2.2 PIN DESCRIPTIONS .....	5
<b>3 CHARACTERISTICS</b> .....	<b>7</b>
3.1 PMU PARAMETERS .....	7
3.2 IO PARAMETERS .....	7
3.3 AUDIO DAC PARAMETERS .....	8
3.4 AUDIO ADC PARAMETERS .....	8
3.5 BT PARAMETERS.....	9
3.6 CURRENT PARAMETERS.....	9
<b>4 PACKAGE INFORMATION</b> .....	<b>10</b>

## 1 Product Features

### CPU and Flexible IO

- High performance 32bit RISC-V processor Core with DSP instruction
- RISC-V typical speed: 125MHz
- Program memory: internal 2K-BIT EEPROM
- Internal 96KB RAM for data and program
- Flexible GPIO pins with Programmable pull-up and pull-down resistors
- Support GPIO wakeup or interrupt

### Bluetooth Radio

- Compliant to Bluetooth 5.3 (QDID:194248);
- TX output power +8dBm in MAX;
- RX Sensitivity with -93dBm @EDR;

### Audio Interface

- Audio codec with 16bit mono DAC and 16bit mono ADC;
- Support flexible audio EQ adjust;
- Support Sample rate 8, 11.025, 12, 16, 22.05, 32, 44.1 and 48KHz;
- Mono MIC amplifier input;
- High performance mono audio ADC with 91dB SNR;
- High performance mono audio DAC with 97dB SNR, with headphone amplifier output;

### Peripheral and Interfaces

- Three 32-bit timers;
- One multi-function 32-bit timers, support Capture and PWM mode;
- WatchDog;
- Three full-duplex UART;
- Sixteen Channels 10-bit SARADC;
- Build in PMU, such as Charger/Buck/LDO;

### Package

- QFN20;

### Temperature

- Operating temperature: -40°C to +85°C;
- Storage temperature: -65°C to +150°C ;

### Supports

- A2DP/AVDTP/AVRCP/RFCOMM/HFP/HSP/SPP/HID

2 Package Definition

2.1 Pin Assignment

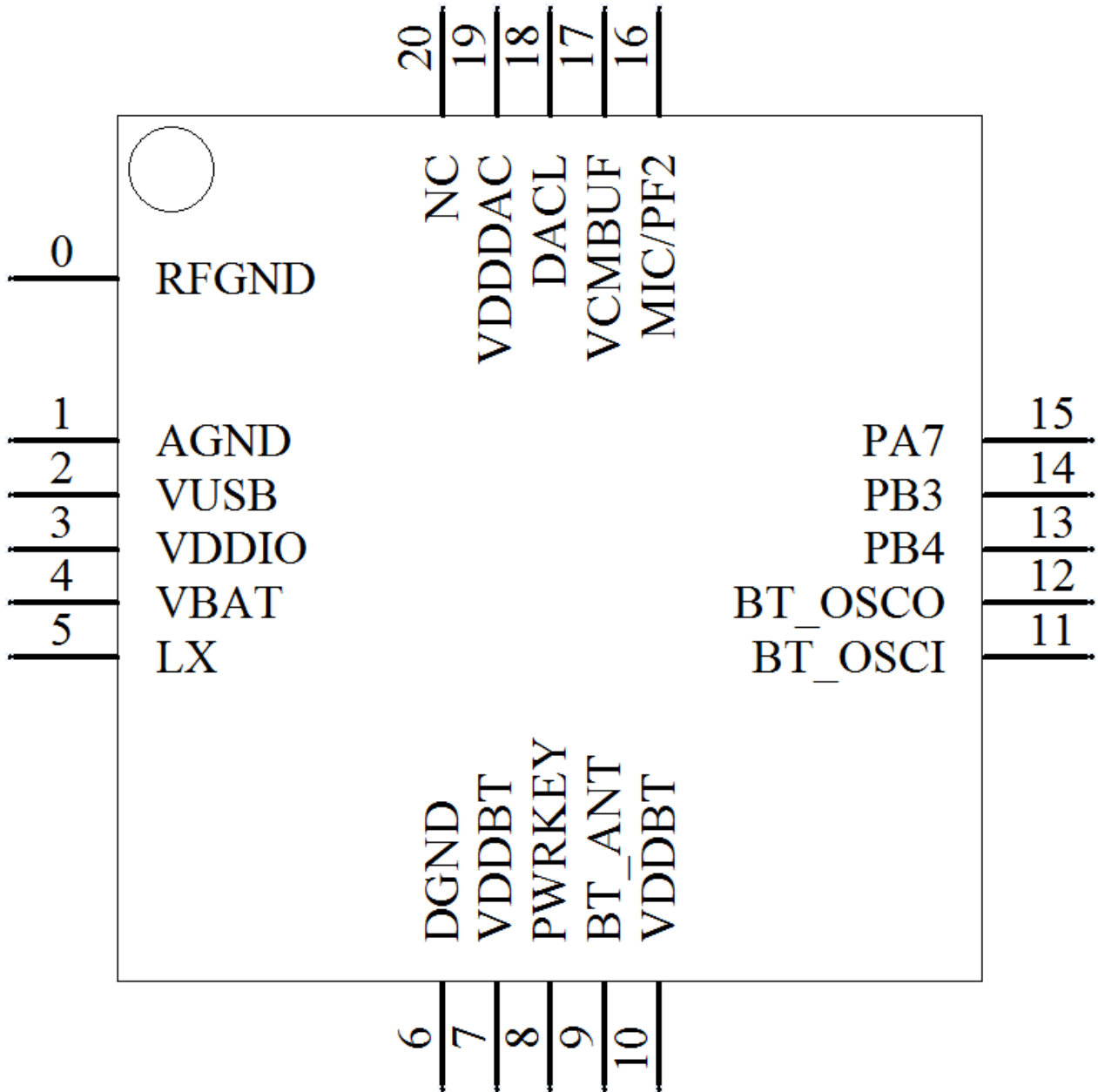


Figure 2-1 Pin assignment for QFN20

## 2.2 Pin Descriptions

**Table 2-1 QFN20 pin description**

Pin No.	Name	Type	Function
0 E-PAD	RFGND	GND	BT RF Ground
1	AGND	GND	DAC Ground
2	VUSB	PWR	VUSB power input
3	VDDIO	PWR	VDDIO power output
4	VBAT	PWR	VBAT power input
5	LX	PWR	Buck inductor connect pin
6	DGND	GND	Digital Ground
7	VDDBT	PWR	BT power
8	PWRKEY	A	Power key input
9	BT_ANT	A	BT ANT
10	VDDBT	PWR	BT power
11	BT_OSCI	A	26M OSC input
12	BT_OSCO	A	26M OSC output
13	PB4	I/O	ADC6 SPI0CLK-G3 RX0-G3 HSTRX-G8 PB4
14	PB3	I/O	ADC5 SPI0DO-G3 TX0-G3 HSTRX-G3 PWM2-T3 PB3
15	PA7	I/O	ADC2 TX0-G1 TX1-G1 HSTRX-G1 PWM1-T3 PA7
16	MIC/PF2	I/O	ADC10 MIC TX0-G7 PF2
17	VCMBUF	A	VCM buffer output

18	DACL	A	DAC L
19	VDDDAC	PWR	DAC power
20	NC		

Note: I/O: Digital input/output; I : Digital input; A : Analog Pin; PWR: Power Pin; GND: Ground.

### 3 Characteristics

#### 3.1 PMU Parameters

Table 3-1 PMU voltage input Parameters

Sym	Characteristics	Min	Typ	Max	Unit	Conditions
VUSB	Charger Voltage input	4.6	5.0	5.5	V	
VBAT	Voltage input	3.0	3.7	4.5	V	

Table 3-2 3.3V LDO Parameters

Sym	Characteristics	Min	Typ	Max	Unit	Conditions
VDDIO	3.3V LDO voltage output	-	3.3	-	V	Light Loading condition
$\Delta$ VDDIO	Output Mismatch 1-sigma	-	56	-	mV	VDDIO=3.3v
ILOAD	Maximum output current	-	-	150	mA	@VBAT=3.6v
ISC	Short Circuit Current Limit	-	-	300	mA	@VBAT=3.8v

Table 3-3 1.6V LDO Parameters

Sym	Characteristics	Min	Typ	Max	Unit	Conditions
VDDBT	1.6V LDO voltage output	-	1.6	-	V	Light Loading condition
$\Delta$ VDDBT	Output Mismatch 1-sigma	-	27	-	mV	VDDBT=1.6v
ILOAD	Maximum output current	-	-	100	mA	@VBAT=3.0v
ISC	Short Circuit Current Limit	-	-	200	mA	@VBAT=3.8v

Table 3-4 1.2V LDO Parameters

Sym	Characteristics	Min	Typ	Max	Unit	Conditions
VDDCORE	1.2V LDO voltage output	-	1.2	-	V	Light Loading condition
$\Delta$ VDDCORE	Output Mismatch 1-sigma	-	20	-	mV	VDDCORE=1.2v
ILOAD	Maximum output current	-	-	80	mA	@VBAT=3.6v
ISC	Short Circuit Current Limit	-	-	120	mA	@VBAT=3.8v

#### 3.2 IO Parameters

Table 3-5 I/O Parameters



GPIO—Electrical Characteristics							
Symbol	Description	Related GPIO	Min	Typical	Max	Units	Conditions
VIL	Low-level input voltage		-0.3		1.27	V	VDDIO=3.3V
VIH	High-level input voltage		2.03		3.6	V	VDDIO=3.3V
Driver Ability 1	Output Driver Ability 1			32		mA	VDDIO=3.3V
Driver Ability 0	Output Driver Ability 0			8		mA	VDDIO=3.3V
RPUP0	Internal pull-up resister 0		8	10	12	KΩ	
RPUP1	Internal pull-up resister 1		0.24	0.3	0.36	KΩ	
RPUP2	Internal pull-up resister 2		160	200	240	KΩ	
RPDN0	Internal pull-down resister 0		8	10	12	KΩ	
RPDN1	Internal pull-down resister 1		0.24	0.3	0.36	KΩ	
RPDN2	Internal pull-down resister 2		160	200	240	KΩ	

### 3.3 Audio DAC Parameters

Table 3-6 Audio DAC Parameters

Sym	Characteristics	Min	Typ	Max	Unit	Conditions
SNR		-	97	-	dB	VCM cap=NC VDDDAC cap=1uF with A-wt filter Output -4dBV Fin=1KHz
THD+N		-	-75	-	dB	VCM cap=NC VDDDAC cap=1uF with A-wt filter Output -4dBV with 10K loading Fin=1KHz
Output Range	Maximum output voltage	-	2.5		Vpeak-peak	32ohm Loading

### 3.4 Audio ADC Parameters

Table 3-7 Audio ADC Parameters

Sym	Characteristics	Min	Typ	Max	Unit	Conditions
SNR		-	91	-	dB	VCM cap=NC VDDDAC cap=1uF with A-wt filter Input sine amplitude, 850mV

Sym	Characteristics	Min	Typ	Max	Unit	Conditions
						RMS Fin=1KHz
THD+N		-	-87	-	dB	VCM cap=1uF VDDDAC cap=1uF with A-wt filter Input sine amplitude, 850mV RMS Fin=1KHz.
Input Range	Input sine wave peak amplitude	0		VCM	V	From aux input, aux 0db gain, VCM represent VCM voltage.

### 3.5 BT Parameters

Table 3-8 BT Parameters

Characteristics	Min	Typical	Max	Unit	Conditions
Maximum Transmit Power	-	-	8	dBm	
RMS DEVM	-	5.5	-	%	Maximum TX power 2-DH5 packet
Peak DEVM	-	12.5		%	
EDR Relative Transmit Power		-0.2		dB	
Sensitivity @ Basic Rate		-91		dBm	BER=0.1%, using DH5 packet
Sensitivity @ EDR		-93		dBm	BER=0.01%, using 2-DH5 packet

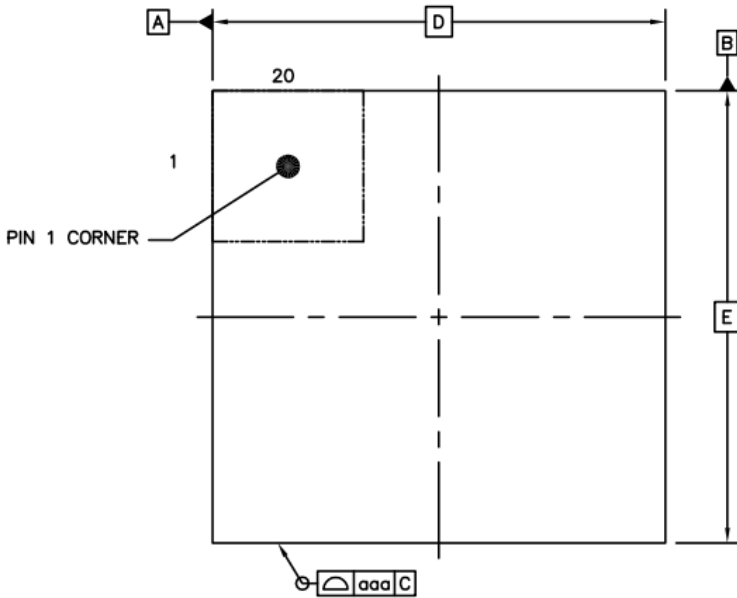
### 3.6 Current Parameters

Table 3-9 Current Parameters

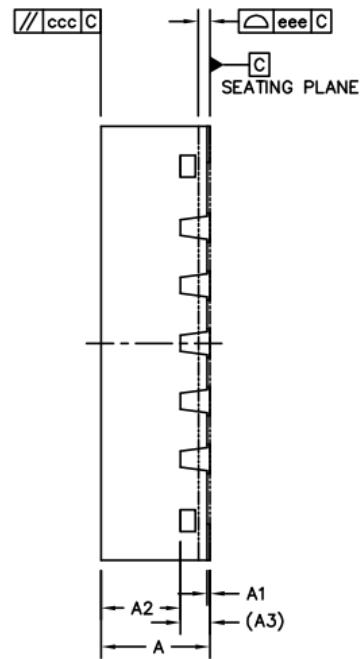
Sym	Characteristics	Min	Typ	Max	Unit	Conditions
IRTC	RTC mode current	-	4	-	uA	4.2V input, room temp.
Sleep	Sleep current	-	500	2000	uA	3.3V input, room temp

4 Package Information

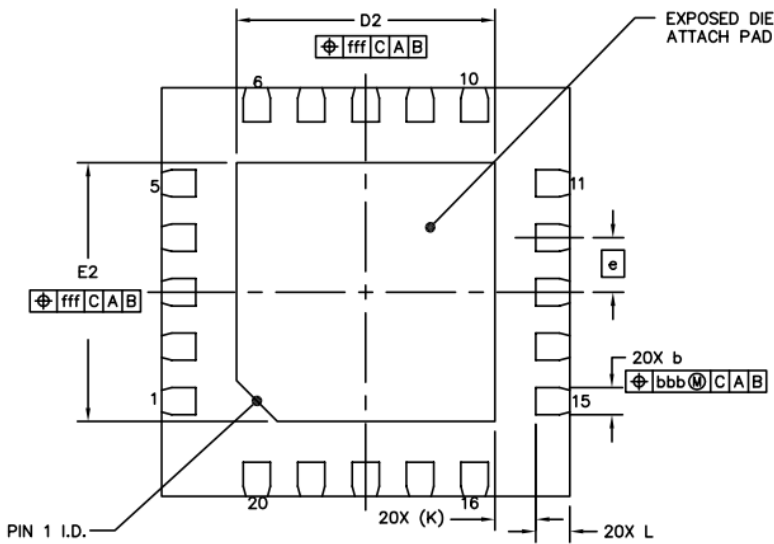
QFN3X3-20L(P0.4T0.75)



TOP VIEW



SIDE VIEW



BOTTOM VIEW

		<b>SYMBOL</b>	<b>MIN</b>	<b>NOM</b>	<b>MAX</b>
TOTAL THICKNESS		A	0.7	0.75	0.8
STAND OFF		A1	0	0.02	0.05
MOLD THICKNESS		A2	---	0.55	---
L/F THICKNESS		A3	0.203 REF		
LEAD WIDTH		b	0.15	0.2	0.25
BODY SIZE	X	D	3 BSC		
	Y	E	3 BSC		
LEAD PITCH		e	0.4 BSC		
EP SIZE	X	D2	1.8	1.9	2
	Y	E2	1.8	1.9	2
LEAD LENGTH		L	0.15	0.25	0.35
LEAD TIP TO EXPOSED PAD EDGE		K	0.3 REF		
PACKAGE EDGE TOLERANCE		aaa	0.1		
MOLD FLATNESS		ccc	0.1		
COPLANARITY		eee	0.08		
LEAD OFFSET		bbb	0.07		
EXPOSED PAD OFFSET		fff	0.1		



## Contact us

Address: 深圳市南山区沙河街道高发社区侨香路 4068 号智慧广场 A 栋 1301-1

E-mail: [info@bluetrum.com](mailto:info@bluetrum.com)

Website: [www.bluetrum.com](http://www.bluetrum.com)